

PCIPFM GAS Threaded  
PCIPFM Socket Welding  
PCIPFM Flanged  
PCBPFM GAS Threaded

- SERIES 35  
- SERIES 36  
- SERIES 37  
- SERIES 39

## Free-Flow Interception Valve Nylon ON-OFF Servo Control



## PCIPFM - Free-Flow Interception Valve with AISI 316L Body

The pneumatic free-flow interception valve series PCIPFM represents the latest evolution in the pneumatic industrial valves branch.

The application of innovative concepts in terms of safety, quality and reliability makes this valve a universal model, usable with water, oil, steam, vapours, aggressive fluids.

Valve body and intermediate body are made in microcast stainless-steel AISI 316L.

Its servo control has been developed in nylon reinforced with glass fiber which presents excellent characteristics of robustness and endurance.

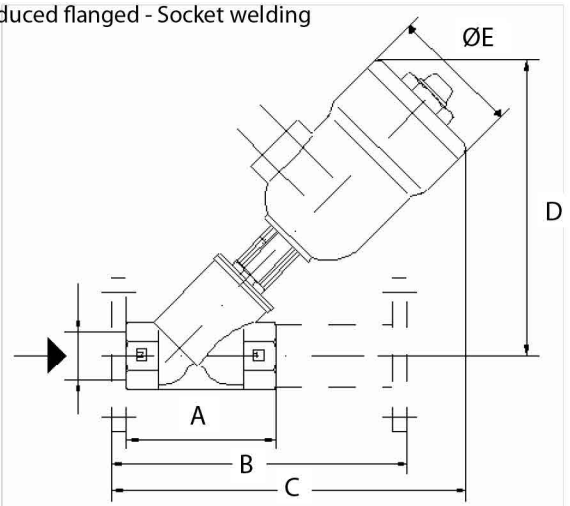
Easily combinable with any accessory thanks to its VDI/VDE 3845 NAMUR connection, it contains Springsafethe new accident-prevention system which gives the highest safety standard knocking down, at the same time, costs of maintenance.

Its wide panorama of applications is due to the range of dimensions too, from ND 15 to ND 65, all available with GAS female-female threaded connections, UNI-drilling flanges, reduced flanges and socket-welding connections, in the N.C. (normally closed) standard version and optional versions N.O. (normally open) and D.E. (double effect).

### Characteristics

- Valve body and intermediate body in microcast stainless-steel AISI 316L
- Servo control in nylon
- VDI/VDE 3845 NAMUR connection
- Springsafe system
- Movable shutter for a precise positioning on its seat
- Shutter gasket in PTFE-C755 (Graphite-filled Teflon)
- Stuffing box in PTFE-C755 and Viton for perfect seal at high and low temperatures
- 360°-rotating servo control for optimum positioning of the connections
- Protected visual stroke-indicator as guarantee of protection of the servo control from dust, impurities and moisture
- In accordance to 97/23/CE PED rule

Feeding pressure: from 5 to 6 bar  
 Range of temperature: from -10°C to +180°C  
 Available versions: NC - NO - DE  
 Connections: GAS FF Threaded - UNI Flanged - Reduced flanged - Socket welding



TECHNICAL DATA				
ND	Kv	Dp*	Actuator	
15	1/2"	5.8	18	50
20	3/4"	9.8	14	50
25	1"	18.6	9	50
15	1/2"	5.8	35	70
20	3/4"	9.8	25	70
25	1"	18.6	20	70
32	1"1/4	26.9	13	70
40	1"1/2	42.0	8	70
50	2"	57.0	5.5	70
65	2"1/2	72.2	2.7	70
25	1"	18.6	34	100
32	1"1/4	26.9	22.5	100
40	1"1/2	42.0	20	100
50	2"	57.0	14	100
65	2"1/2	72.2	6.5	100

DIMENSIONS AND WEIGHTS								
DN	Actuator	A	B	C	D	E	Weight (Kg)	
15	1/2"	50	65	130	195	166	73	-
20	3/4"	50	75	150	202	171	73	-
25	1"	50	90	160	217	180	73	-
15	1/2"	70	65	130	222	192	93	-
20	3/4"	70	75	150	229	197	93	-
25	1"	70	90	160	244	206	93	-
32	1"1/4	70	110	180	257	214	93	-
40	1"1/2	70	120	200	262	219	93	-
50	2"	70	150	230	280	228	93	-
25	1"	100	90	160	305	267	127	-
32	1"1/4	100	110	180	318	275	127	-
40	1"1/2	100	120	200	323	280	127	-
50	2"	100	150	230	331	270	127	-
65	2"1/2	100	177	290	357	293	127	-



## PCBPFM - Free-Flow Interception Valve with Bronze Body

The pneumatic interception valve series PCBPFM has the same technical characteristics of the series PCIPFM: equipped with the same servo control in nylon reinforced with glass fiber, it has body and intermediate body in microcast bronze.

Springsafe system guarantees the highest safety standard knocking down, at the same time, costs of maintenance.

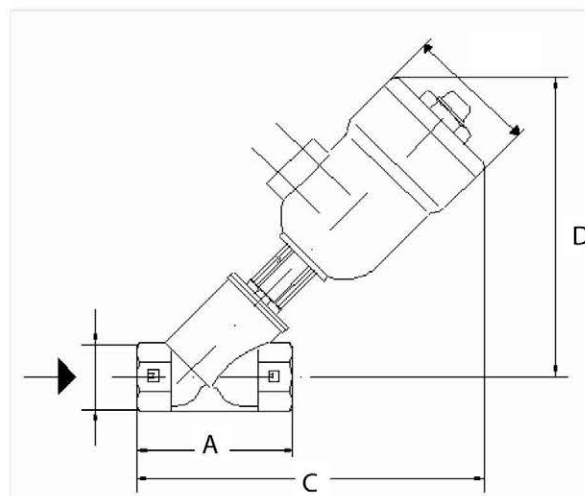
The valve is provided of VDI/VDE 3845 NAMUR connection which makes it easily combinable with any accessory.

In standard N.C. (normally closed) version and in optional versions N.O. (normally open) and D.E. (double effect), is only available with GAS female-female threaded connections.

### Characteristics

- Valve body and intermediate body in microcast bronze
- Servo control in nylon
- VDI/VDE 3845 NAMUR connection
- Springsafe system
- Movable shutter for a precise positioning on its seat
- Shutter gasket in PTFE-C755 (Graphite-filled Teflon)
- Stuffing box in PTFE-C755 and Viton for perfect seal at high and low temperatures
- 360°-rotating servo control for optimum positioning of the connections
- Protected visual stroke-indicator as guarantee of protection of the servo control from dust, impurities and humidity
- In accordance to 97/23/CE PED rule

Feeding pressure: from 5 to 6 bar  
 Range of temperature: from -10°C to +180°C  
 Available versions: NC - NO - DE  
 Connections: GAS FF Threaded



TECHNICAL DATA				
ND	Kv	Dp*	Actuator	
15	1/2"	5.8	18	50
20	3/4"	9.8	14	50
25	1"	18.6	9	50
15	1/2"	5.8	35	70
20	3/4"	9.8	25	70
25	1"	18.6	20	70
32	1 1/4"	26.9	13	70
40	1 1/2"	42.0	8	70
50	2"	57.0	5.5	70
65	2 1/2"	72.2	2.7	70
25	1"	18.6	34	100
32	1 1/4"	26.9	22.5	100
40	1 1/2"	42.0	20	100
50	2"	57.0	14	100
65	2 1/2"	72.2	6.5	100

\* Values in the table are referred to the servo control with pressure under shutter but their application is limited by the rating of the body.

DIMENSIONS AND WEIGHTS							
DN	Actuator	A	B	C	D	E	Weight (Kg)
15	1/2"	50	65	130	195	166	73
20	3/4"	50	75	150	202	171	73
25	1"	50	90	160	217	180	73
15	1/2"	70	65	130	222	192	93
20	3/4"	70	75	150	229	197	93
25	1"	70	90	160	244	206	93
32	1 1/4"	70	110	180	257	214	93
40	1 1/2"	70	120	200	262	219	93
50	2"	70	150	230	280	228	93
25	1"	100	90	160	305	267	127
32	1 1/4"	100	110	180	318	275	127
40	1 1/2"	100	120	200	323	280	127
50	2"	100	150	230	331	270	127
65	2 1/2"	100	177	290	357	293	127

Technical data are approximate and not binding for the manufacturer who reserves the right to change them without notice at any time.



PCIPFM - Free-Flow Interception Valve

PCIPFM	Free-Flow Interception Valve - AISI 316L Body - Nylon Servo Control					
--------	---	--	--	--	--	--

PCIPFM	_ND	_SERVO CONTROL	_CONNECTIONS	_VERSION
15	1	Ø 50	1 GAS FF Threaded	Standard Normally Closed
20	2	Ø 70	2 UNI PN 16 Flanged	NA Normally Open
25	3	Ø100	3 Reduced Flanged	DE Double Effect
32			4 Socket Welding	
40				
50				

Example:  
PCIPFM\_015\_1\_1

PCBPFM - Free-Flow Interception Valve

PCBPFM	Free-Flow Interception Valve - Bronze Body - Nylon Servo Control					
--------	--	--	--	--	--	--

PCBPFM	_ND	_SERVO CONTROL	_VERSION
15	1	Ø 50	Standard Normally Closed
20	2	Ø 70	NA Normally Open
25	3	Ø100	DE Double Effect
32			
40			
50			
65			

Example:  
PCBPFM\_015\_1\_NA

ACCESSORIES (on request):

- Sensor (inductive, magnetic)
- Solenoid Valve
- Adjustable Stroke Limiter
- Electronic Positioner
- Micro switch (inductive, magnetic, electric, pneumatic)